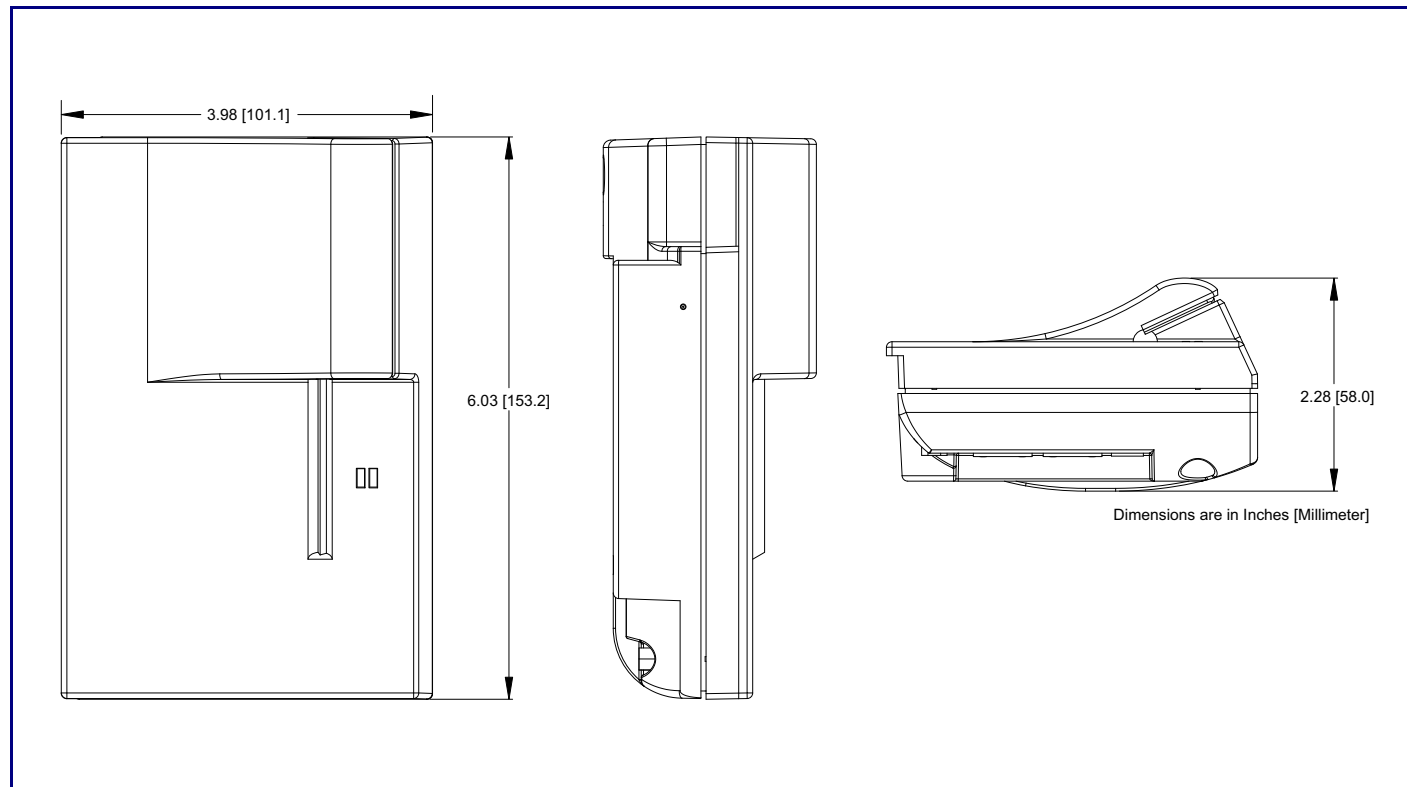
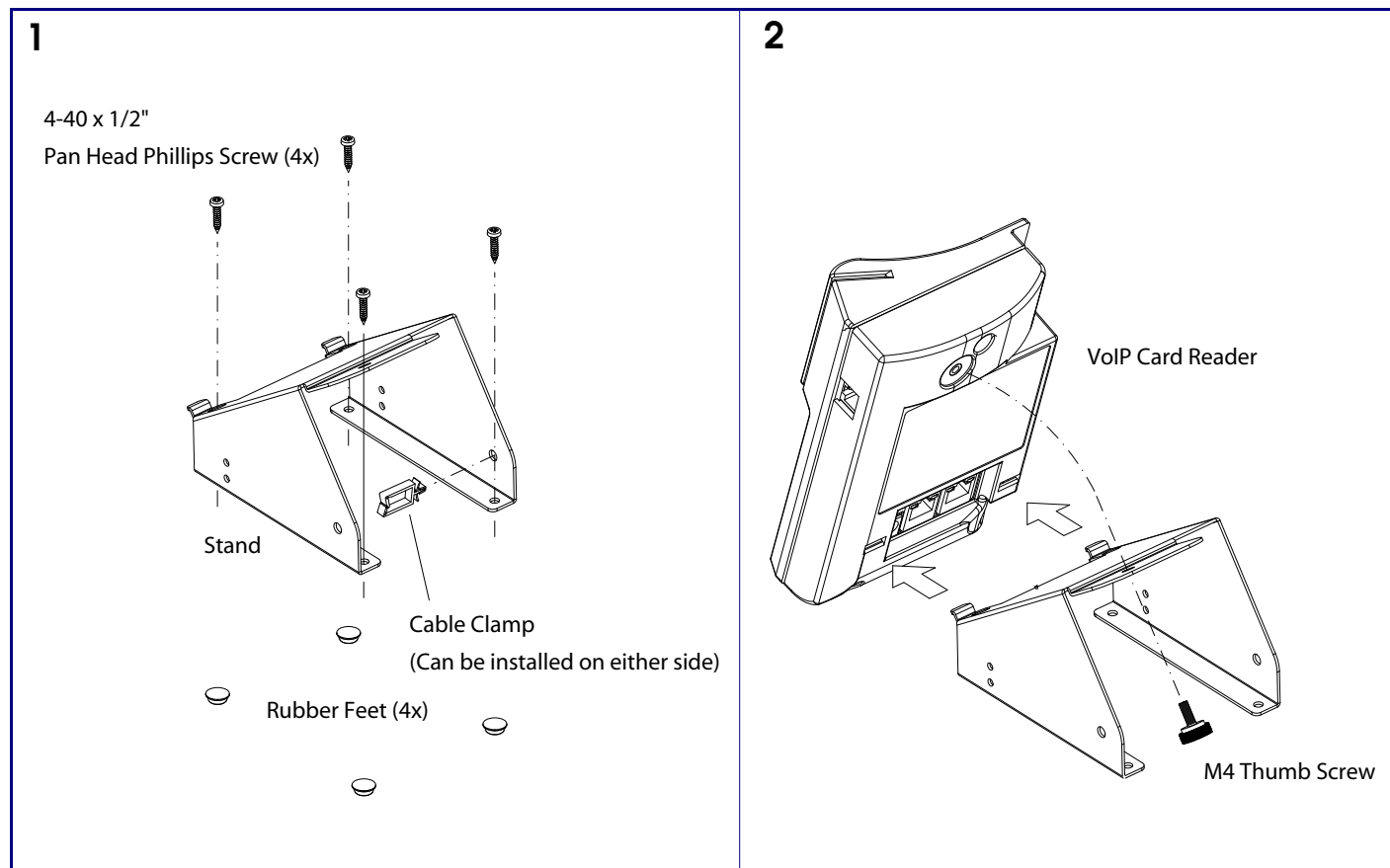


Dimensions



Stand Assembly



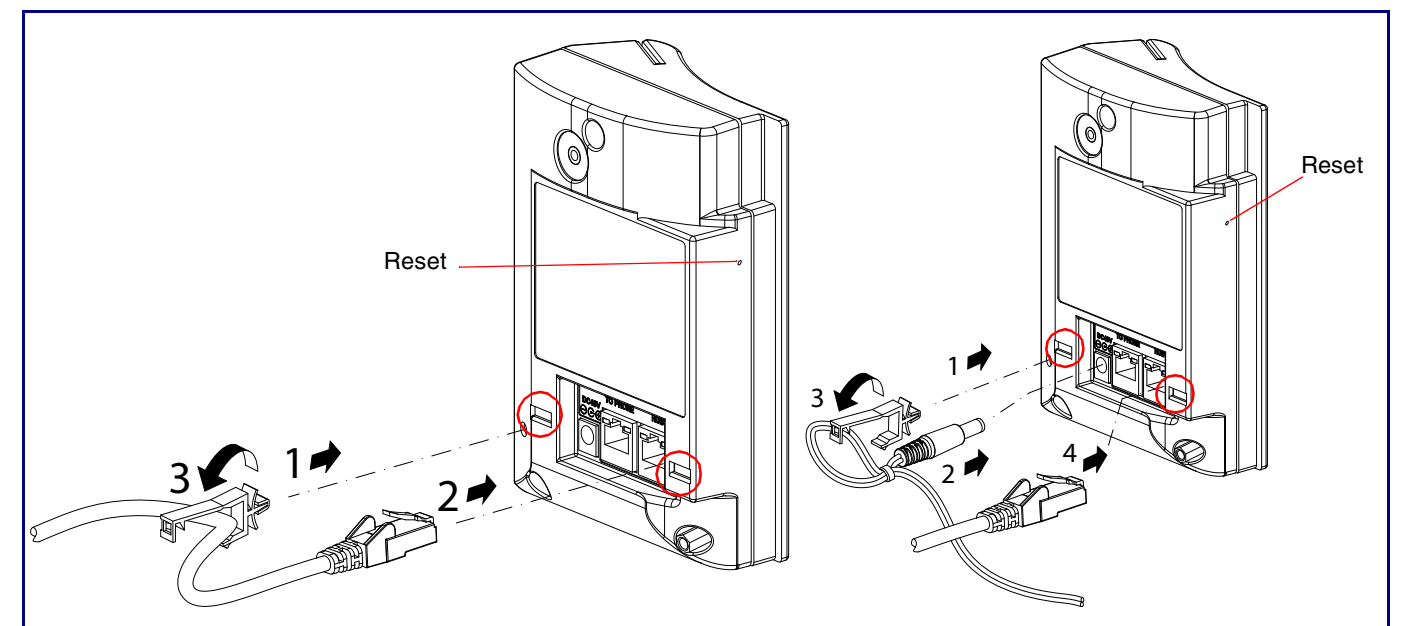
CyberData
The IP Endpoint Company

Installation Quick Reference VoIP Card Reader SiP Compliant 010903

Parts List

- (1) CyberData VOIP Card Reader
- (1) Cable Retainer Clip

Installing the VoIP Card Reader



Poe Only Installation

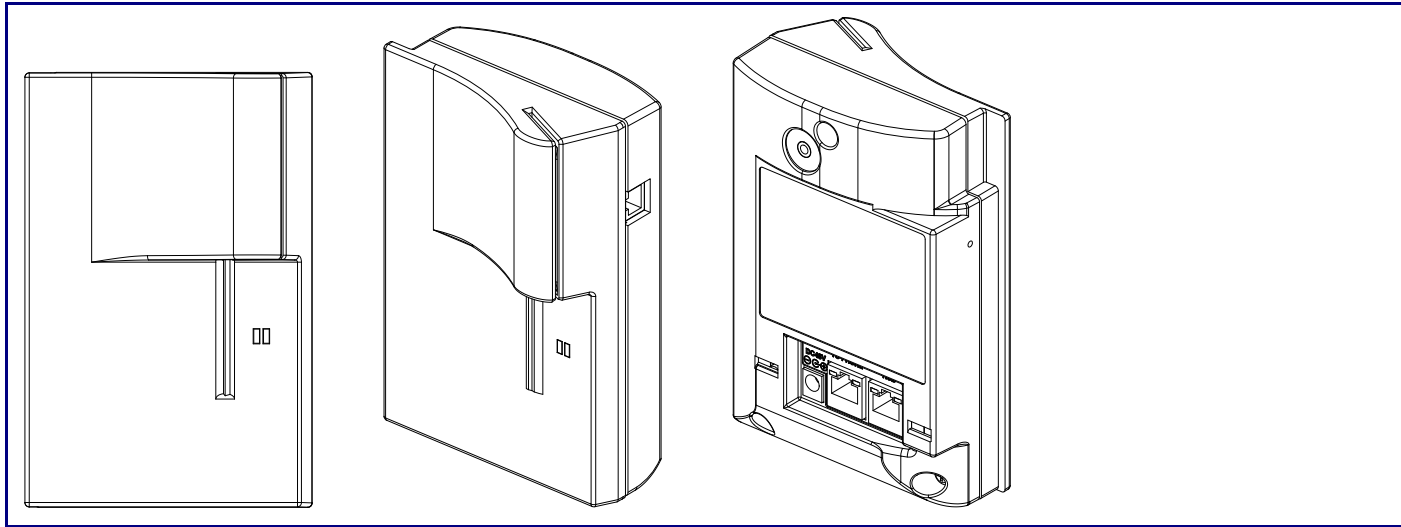
Attach the VoIP Card Reader to the single module foot stand of a IP Phone Expansion Module at the points indicated by the circles.

1. Plug the Cable Retainer Clip into the VoIP Card Reader.
2. Plug in the PoE Ethernet cable into the Hub port.
3. Close the retainer clip over the Ethernet cable.

Optional 48V Power Supply Installation

1. Plug in the optional 48V power supply.
2. Plug in the Ethernet cable into the Hub port.
3. Close the retainer clip over the Ethernet cable.
4. Non-Poe Ethernet Cable from Hub port.

Front, Back, and Side Views



Mounting the VoIP Card Reader

- You can mount the CyberData VOIP Card Reader separately with the CyberData VOIP Card Reader Stand (CD# 010909A).



- You can also mount the CyberData VOIP Card Reader directly to the Cisco phone by using the Cisco Foot Stand (purchased from Cisco) which is shown in the following picture.



- The CP-SINGLFOOTSTAND is a single module footstand for the following Cisco Phones:
Cisco Unified IP Phones 7960G (CP-7960G), 7961G (CP-7961G), 7970G (CP-7970G) and 7971G-GE (CP-7971G-GE)

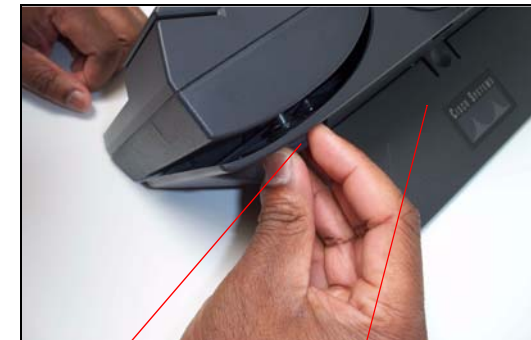


Mounting the VoIP Card Reader on a Cisco Phone

1. Position the VoIP Card Reader into the Cisco Foot Stand.



2. Secure the VoIP Card Reader to the Cisco Foot Stand with the M4 thumb screw.



M4 thumb screw CP-SINGLFOOTSTAND*

* The CP-SINGLFOOTSTAND is a single module footstand for the following Cisco Phones:
Cisco Unified IP Phones 7960G (CP-7960G), 7961G (CP-7961G), 7970G (CP-7970G) and 7971G-GE (CP-7971G-GE)

Contacting CyberData

Corporate Headquarters

CyberData Corporation
3 Justin Court
Monterey, CA 93940, USA

Phone: 831-373-2601
Fax: 831-373-4193
www.CyberData.net

Sales: (831) 373-2601 ext. 334
Support: 831-373-2601 ext. 333
Web: <http://www.cyberdata.net/support/contactsupportvoip.html>
RMA Dept: (831) 373-2601 ext. 136
Email: RMA@CyberData.net
RMA Status: <http://www.cyberdata.net/support/rmastatus.html>

Warranty and RMA information is available at the following website address:
<http://www.cyberdata.net/support/warranty/index.html>