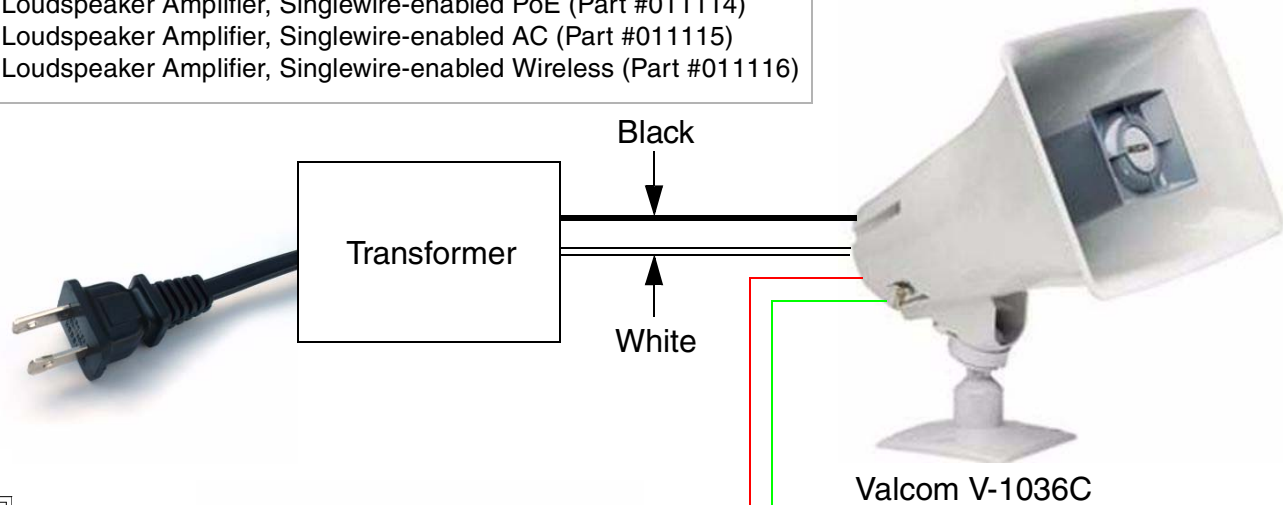


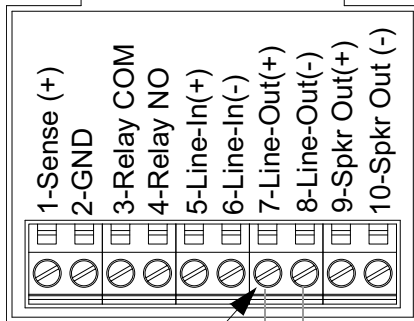
# V2 Paging Amplifier Connections with a Valcom Amplified Speaker

## CyberData V2 Paging Amplifier (Part #011061)

This setup also works for the following products:  
 V2 Loudspeaker Amplifier, AC (Part #011095)  
 V2 Loudspeaker Amplifier, Wireless (Part #011096)  
 V2 Loudspeaker Amplifier, PoE (Part #011097)  
 V2 Paging Amplifier, Singlewire-enabled (Part #011085)  
 V2 Loudspeaker Amplifier, Singlewire-enabled PoE (Part #011114)  
 V2 Loudspeaker Amplifier, Singlewire-enabled AC (Part #011115)  
 V2 Loudspeaker Amplifier, Singlewire-enabled Wireless (Part #011116)



### CLASS II WIRING



Pins 7 and 8  
(Line-Out)

10K Hi-Z Output

### Valcom VMT-1



Red → ← Green