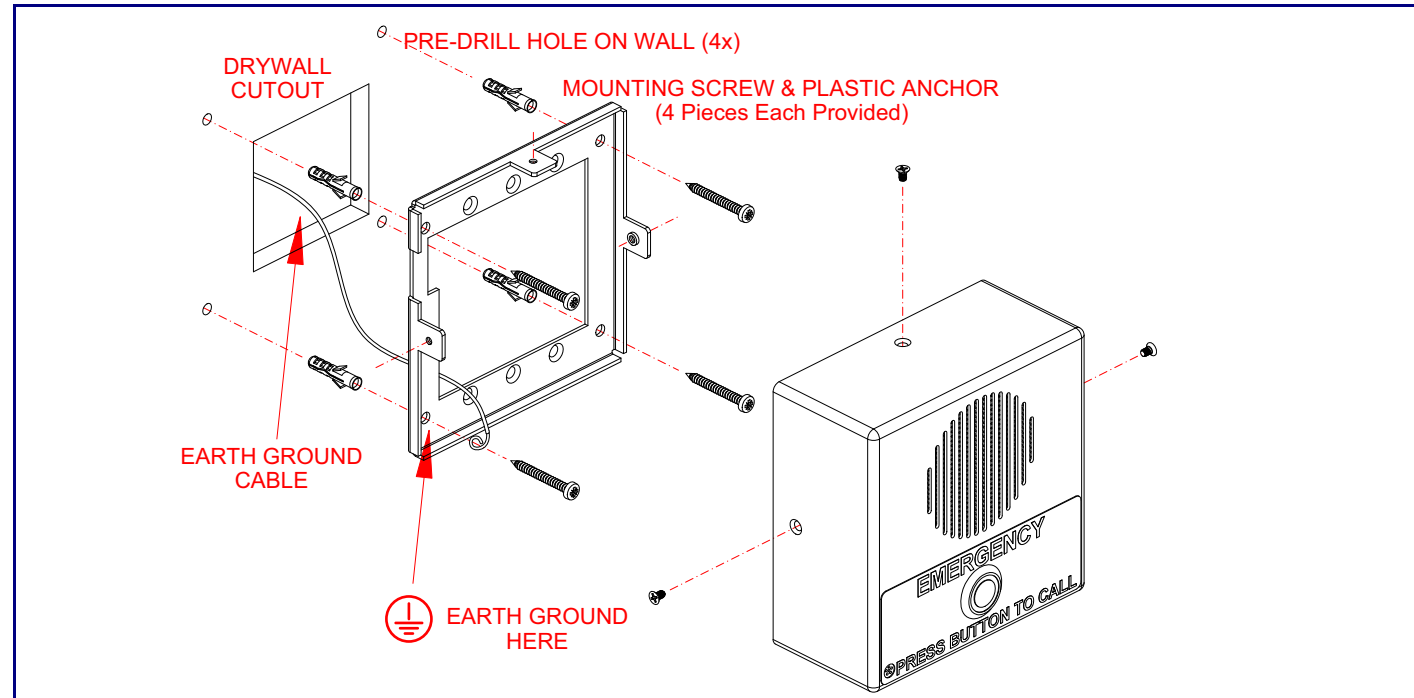
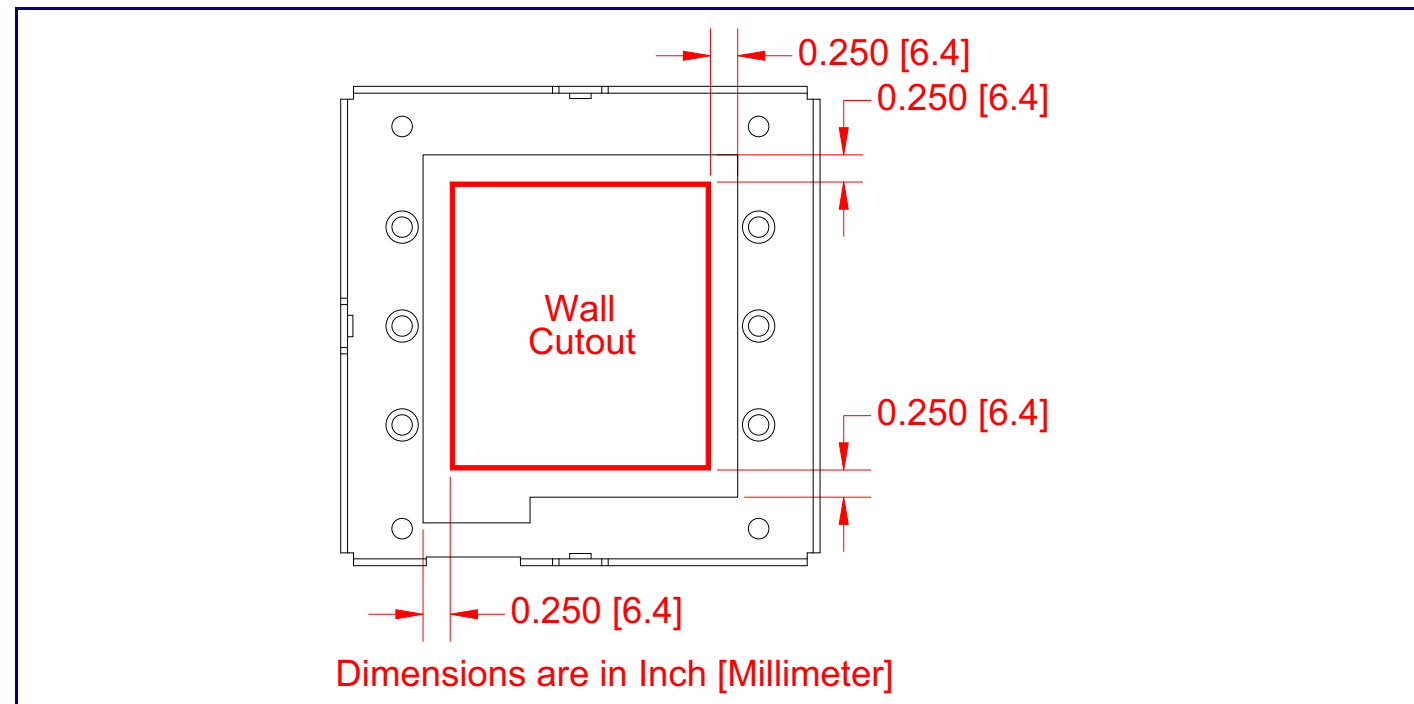


Wall Mounting Options



Maximum Recommended Wall Cutout Dimensions



Contacting CyberData

Corporate Headquarters

CyberData Corporation
3 Justin Court
Monterey, CA 93940, USA

Phone: 831-373-2601
Fax: 831-373-4193
www.CyberData.net

Sales: (831) 373-2601 ext. 334
Support: 831-373-2601 ext. 333
Web: <http://www.cyberdata.net/support/contactsupportvoip.html>
RMA Dept: (831) 373-2601 ext. 136
Email: RMA@CyberData.net
RMA Status: <http://www.cyberdata.net/support/rmastatus.html>

Warranty information is available at:
Web: <http://www.cyberdata.net/support/warranty/index.html>

CyberData
The IP Endpoint Company

Installation Quick Reference

VoIP Indoor Emergency Intercom

SiP Compliant

011035

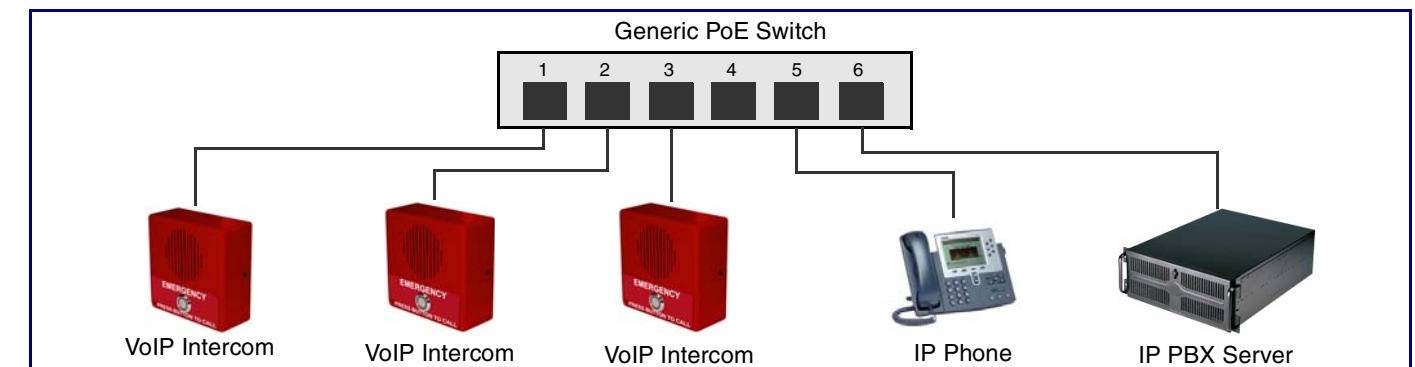
The CyberData SIP-enabled VoIP Indoor Emergency Intercom is a two-way communications device that is used in an area where either an emergency panic button or two-way priority communications are required.



| Parameter | Factory Default Setting |
|------------------------------|-------------------------|
| IP Addressing | DHCP |
| IP Address ^a | 10.10.10.10 |
| Web Access Username | admin |
| Web Access Password | admin |
| Subnet Mask ^a | 255.0.0.0 |
| Default Gateway ^a | 10.0.0.1 |

a. Default if there is not a DHCP server present.

Typical System Installation



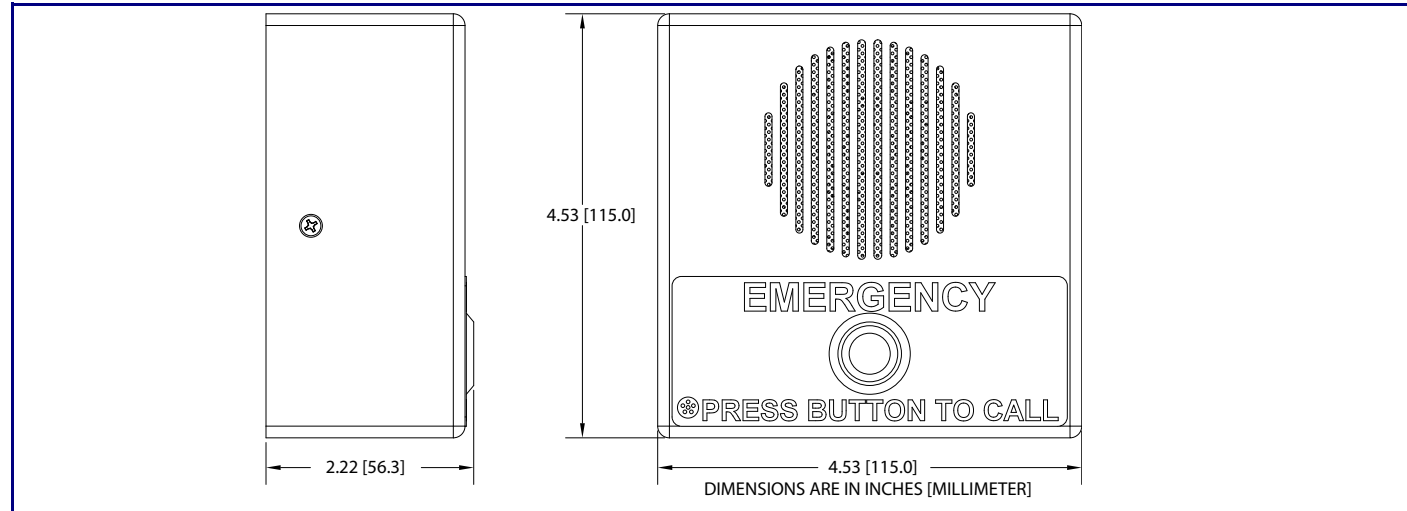
Getting Started

- Download the *VoIP Emergency Intercom Operations Guide* PDF file from the VoIP Indoor Emergency Intercom product page, at:
<http://www.cyberdata.net/products/voip/digitalanalog/intercomemergency/docs.html>
- Create a plan for the locations of your Intercoms.
- Prior to installation, consult local building and electrical code requirements.
- **WARNING: This enclosure is not rated for any AC voltages!**

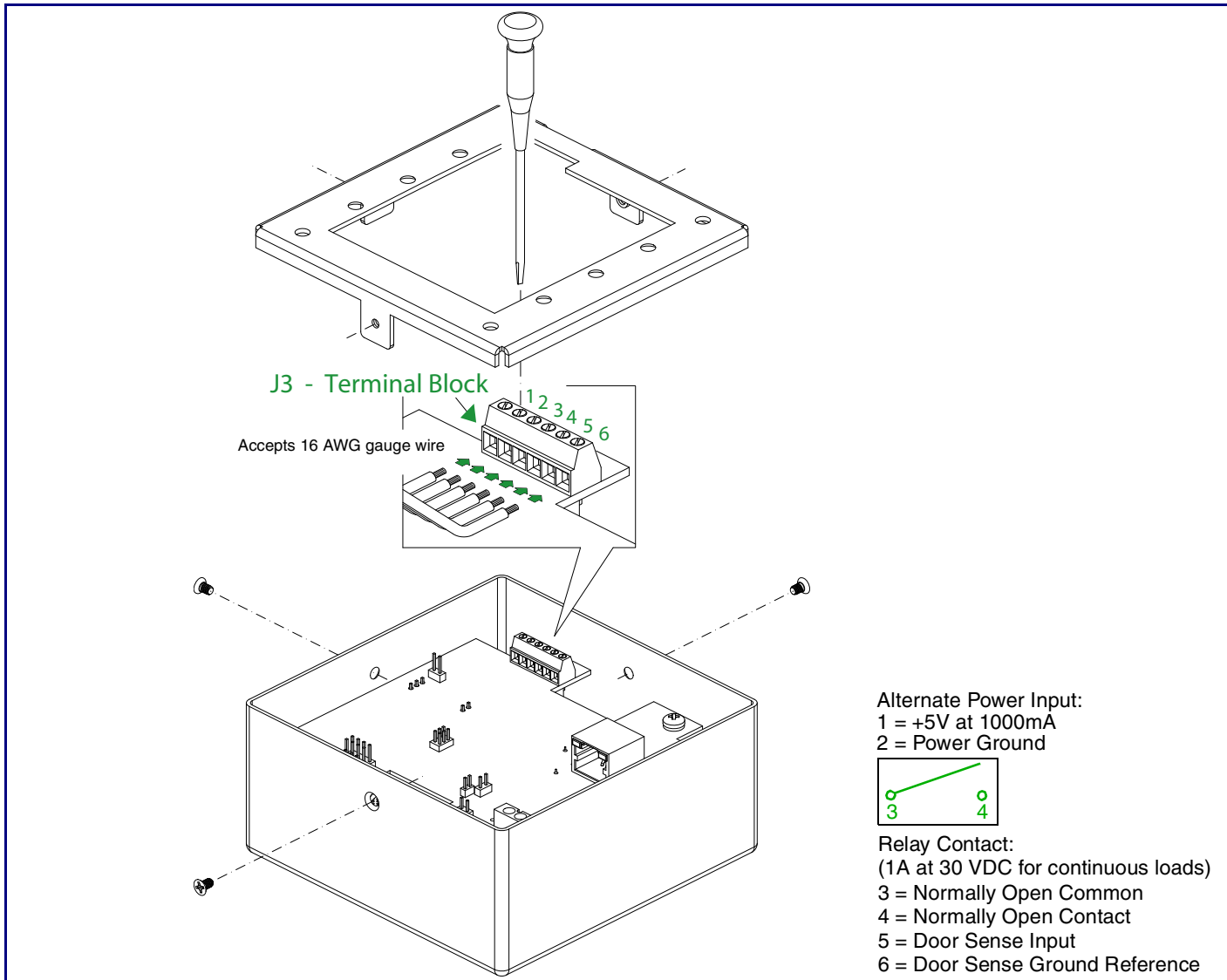
Intercom Parts

| (1) Intercom Assembly | (1) Wall Mounting Kit | (1) Gang Box Mounting Kit |
|-----------------------|--------------------------------------|--|
| | (4) #6 x 1.25-inch Sheet Metal Screw | (4) Plastic ribbed anchor |
| | | (4) 632 x 0.625 Flat-Head Phillips Machine Screw |

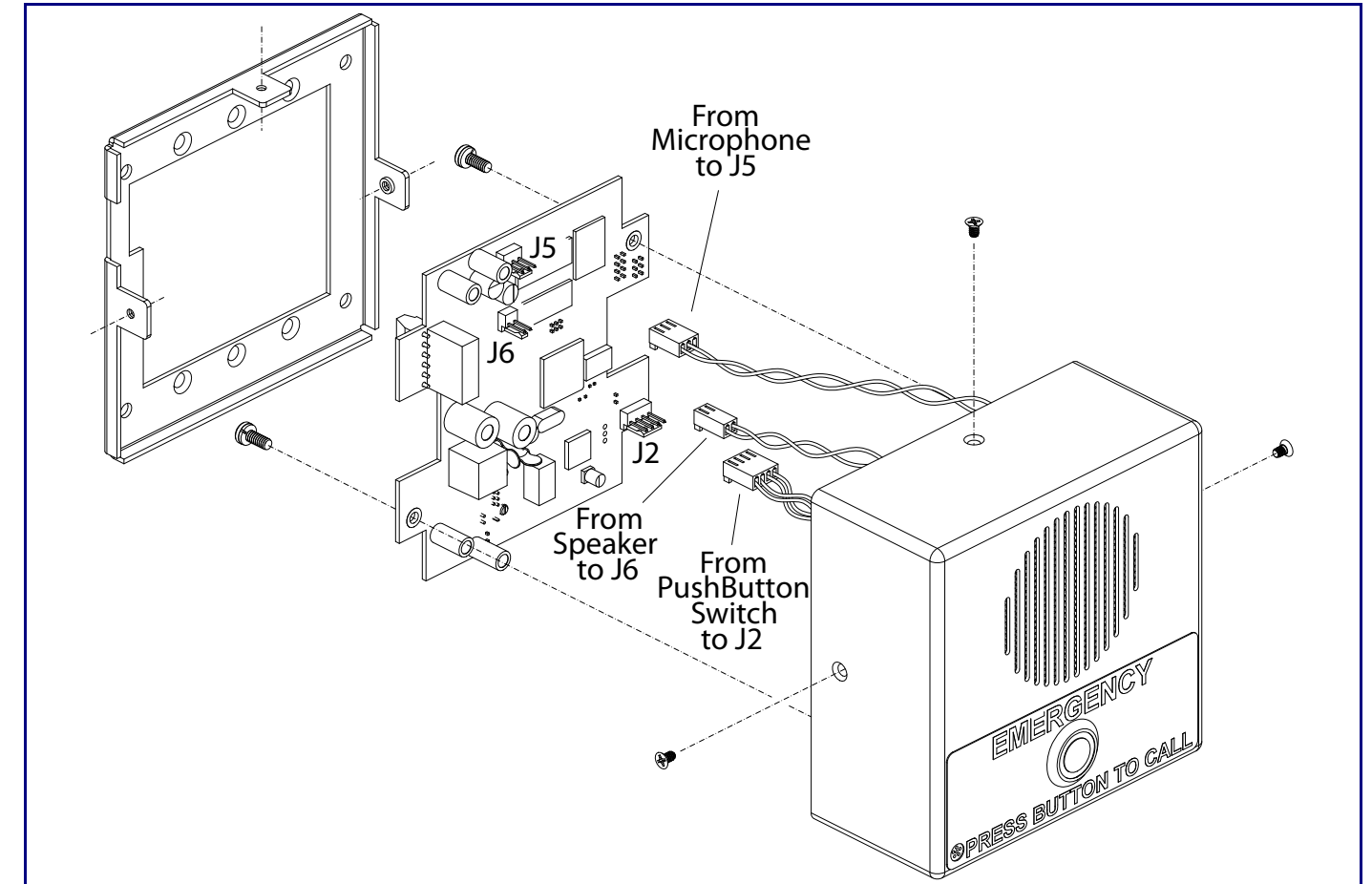
Dimensions



Terminal Block Connections



Cable Connections



Gang Box Mounting Options

