

## Intercom Mounted to Wall



## Contacting CyberData

### Corporate Headquarters

CyberData Corporation  
2555 Garden Road  
Monterey, CA 93940, USA

Phone: 831-373-2601  
Fax: 831-373-4193  
www.CyberData.net

Sales: (831) 373-2601 ext. 334

Support: 831-373-2601 ext. 333  
Email: support@CyberData.net

RMA Dept: (831) 373-2601 ext. 136  
Email: RMA@CyberData.net

### Warranty

CyberData warrants its product against defects in material and workmanship for a period of two years from the date of purchase. Should the product fail within the warranty period, CyberData will repair or replace the product free of charge. This warranty includes all parts and labor. Should the product fail out-of-warranty, a flat rate repair charge of one half the purchase price will be assessed. Repair costs for products that are in warranty, but damaged by improper modifications or abuse, are charged at the out-of-warranty rate. Products returned to CyberData, both in and out-of-warranty, are shipped to CyberData at the customer's expense. Charges for shipping repaired products to the customer are paid by CyberData.

For product service, contact the Returned Materials Authorization (RMA) department. A product will not be accepted for return without an approved RMA number. Send the product, in its original package, to: CyberData Corporation, 2555 Garden Road, Monterey, CA 93940, Attention: RMA "your RMA number"



## Installation Quick Reference

# VoIP Indoor Emergency Intercom

SIP Compliant

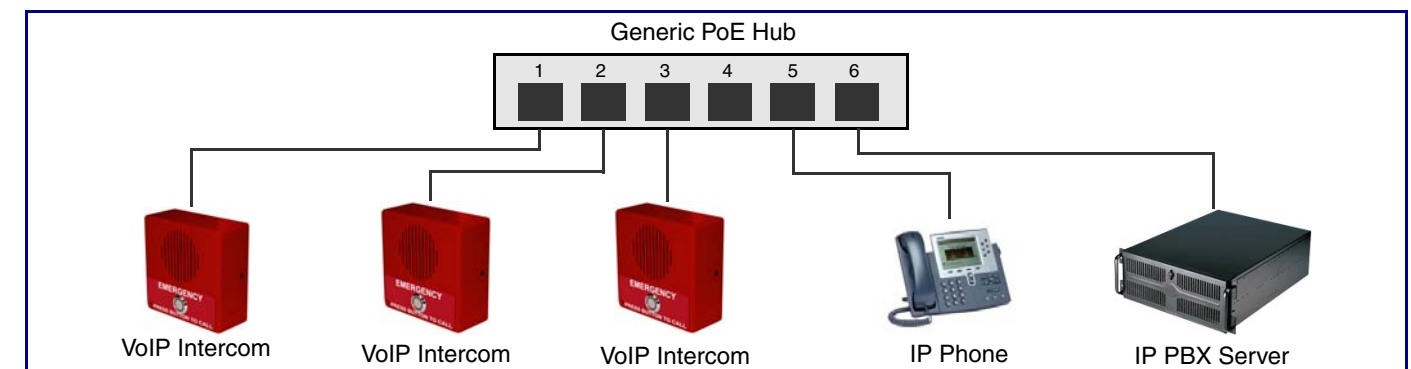
## 011035

The CyberData SIP-enabled VoIP Indoor Emergency Intercom is a two-way communications device that is used in an area where either an emergency panic button or two-way priority communications are required.



Parameter	Factory Default Setting
IP Addressing	static
IP Address	192.168.3.10
Web Access Username	admin
Web Access Password	admin
Subnet Mask	255.255.255.0
Default Gateway	192.168.3.1

## Typical System Installation



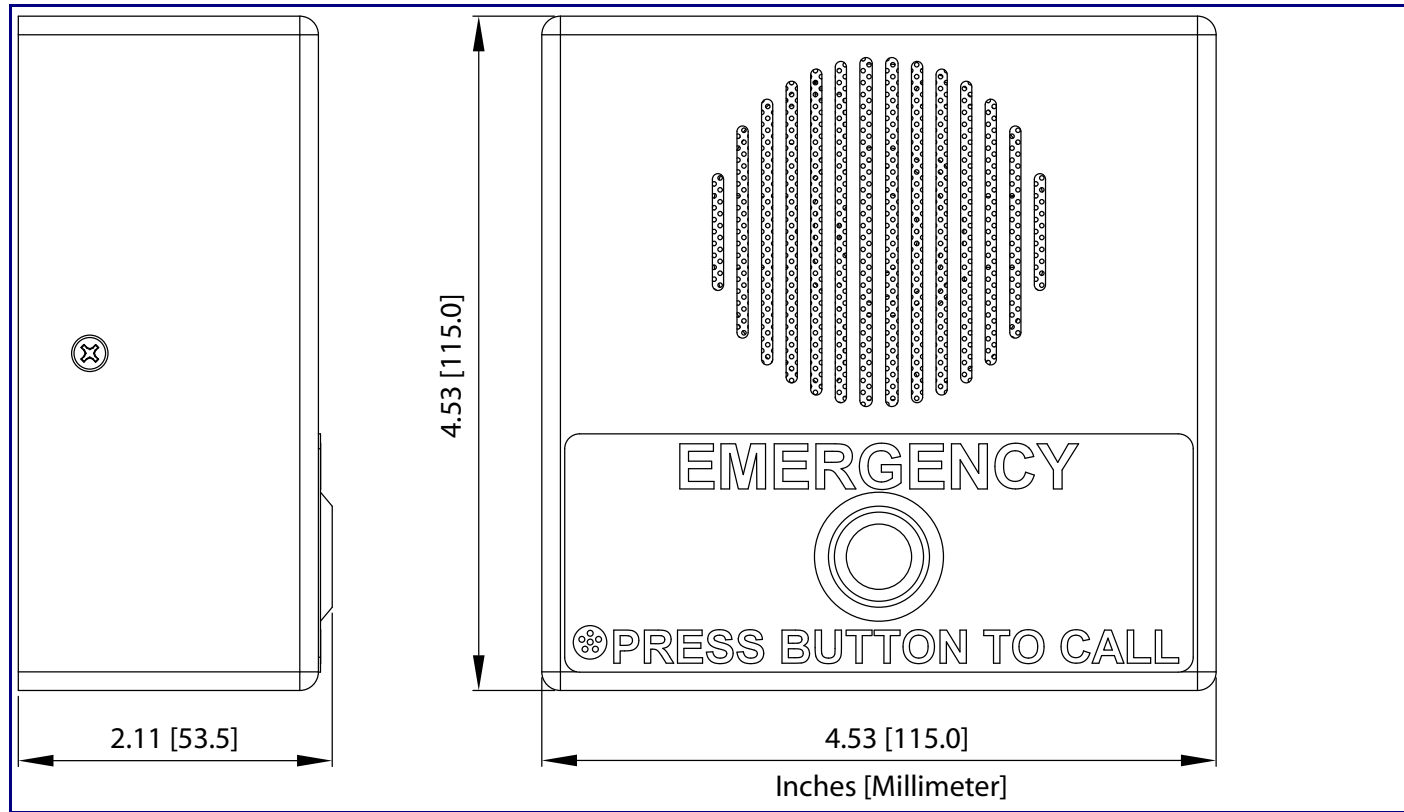
## Getting Started

- Download the *VoIP Emergency Intercom Operations Guide*, a PDF file, at: <http://www.cyberdata.net/support/voip/intercom.html> or go to [www.CyberData.net](http://www.CyberData.net)->Support->Drivers, Utilities, & Manuals-> Product Drivers & Documentation page->VoIP Emergency Intercom.
- Create a plan for the locations of your Intercoms.
- Prior to installation, consult local building and electrical code requirements.
- **WARNING: This enclosure is not rated for any AC voltages!**

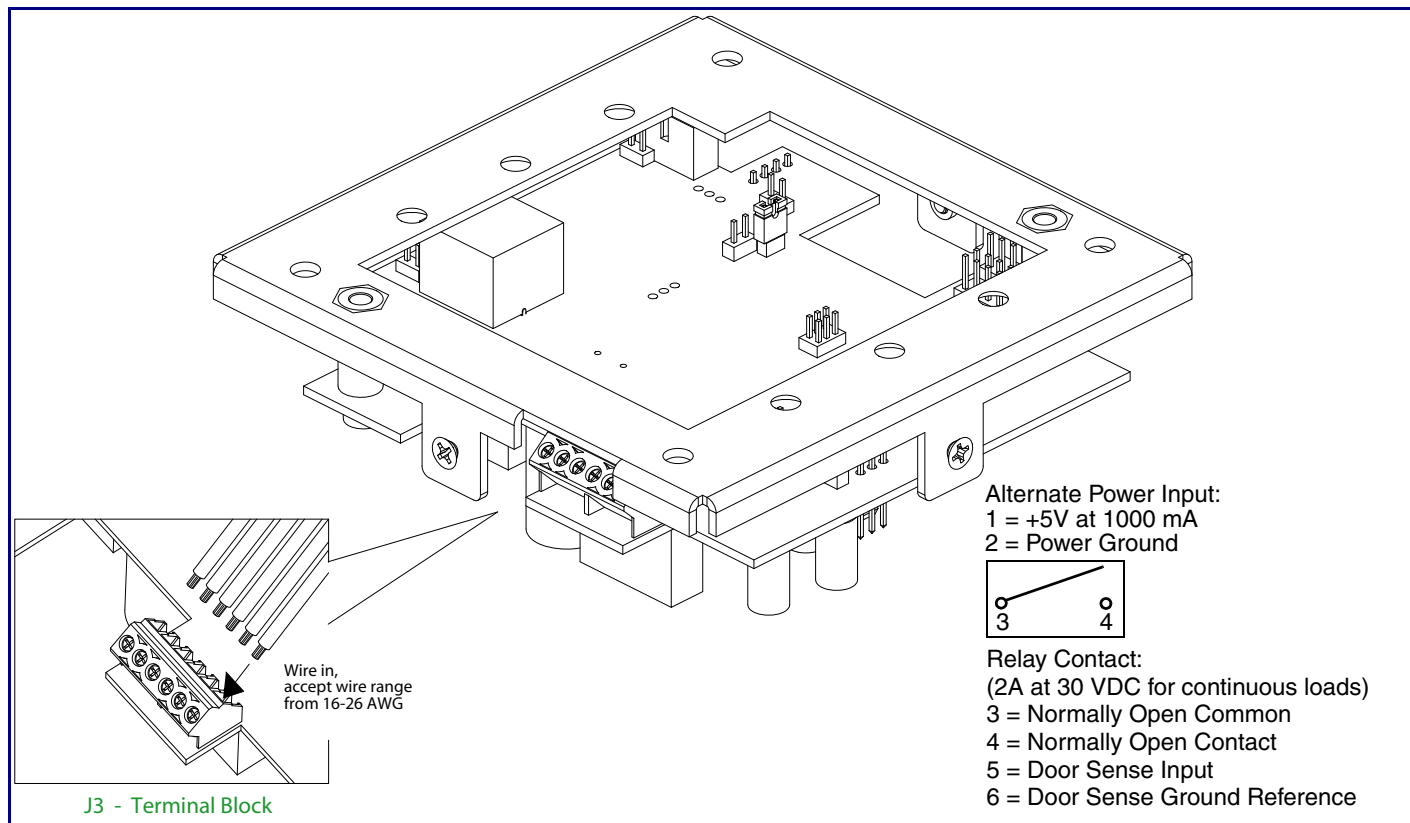
## Intercom Parts

<p><b>(1) Intercom Assembly</b></p>	<p><b>(1) Wall Mounting Kit</b></p> <p>#6 x 1" Pan head phillips wood screw</p> <p>(4) Plastic ribbed anchor</p>	<p><b>(1) Gang Box Mounting Kit</b></p> <p>(4) 6-32 x 0.5-inch flat undercut Phillips machine screw</p>
-------------------------------------	--	---

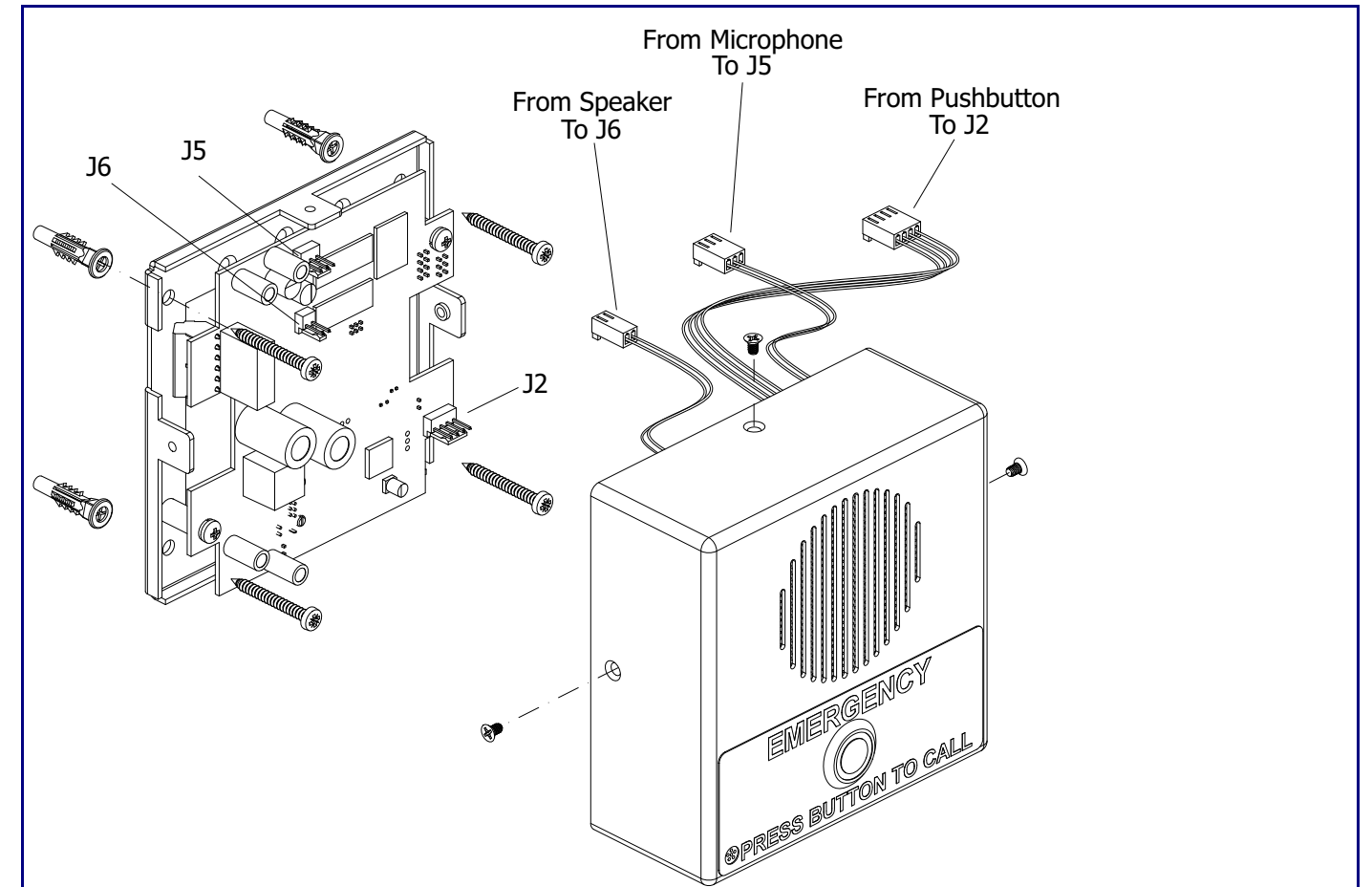
### Dimensions



### Terminal Block Connections



### Cable Connections



### Gang Box Mounting Options

