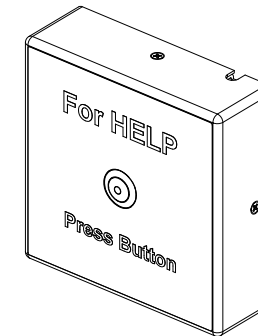


SIP Call Button

SIP Compliant

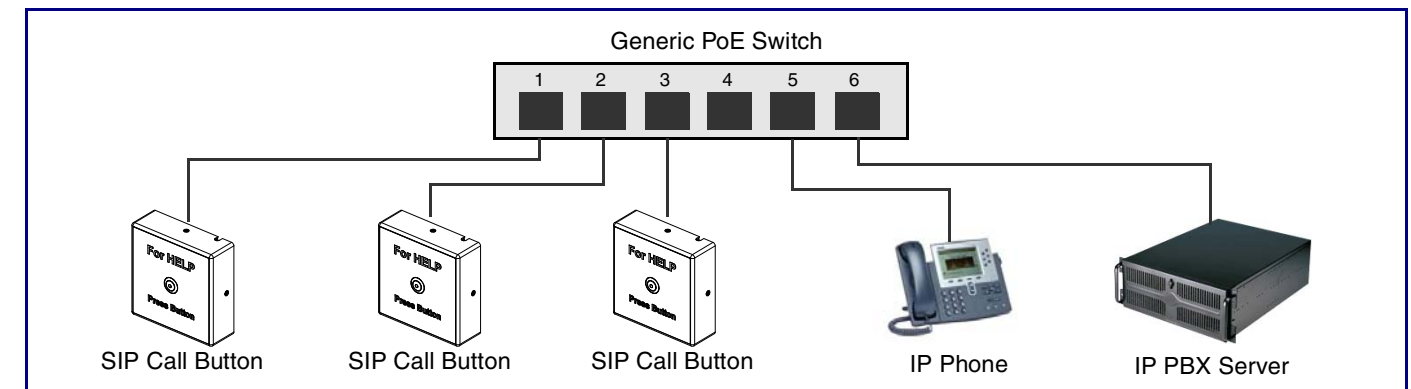
011049



Parameter	Factory Default Setting
IP Addressing	DHCP
IP Address ^a	10.10.10.10
Web Access Username	admin
Web Access Password	admin
Subnet Mask ^a	255.0.0.0
Default Gateway ^a	10.0.0.1

a. Default if there is not a DHCP server present.

Typical System Installation



Getting Started

- Download the *SIP Call Button Operations Guide* PDF file, from the SIP Call Button product page at: <http://www.cyberdata.net/products/voip/digitalanalog/callbutton/docs.html>
- Create a plan for the locations of your SIP Call Buttons.
- Prior to installation, consult local building and electrical code requirements.
- **WARNING: This enclosure is not rated for any AC voltages!**

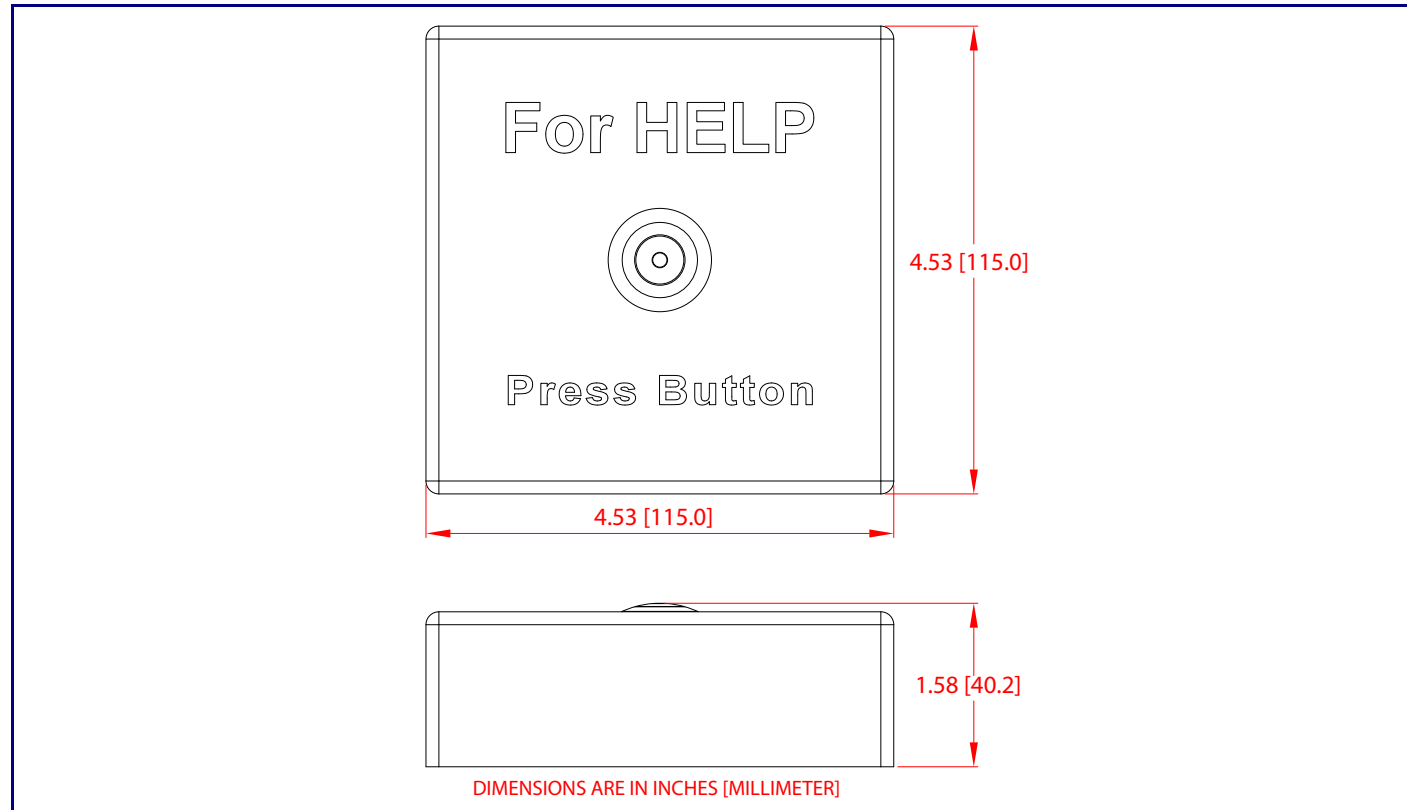
Contacting CyberData

<p>Corporate Headquarters</p> <p>CyberData Corporation 3 Justin Court Monterey, CA 93940, USA</p> <p>Phone: 831-373-2601 Fax: 831-373-4193 www.CyberData.net</p>	<p>Sales: (831) 373-2601 ext. 334 Support: 831-373-2601 ext. 333 Web: http://www.cyberdata.net/support/contactsupportvoip.html RMA Dept: (831) 373-2601 ext. 136 Email: RMA@CyberData.net RMA Status: http://www.cyberdata.net/support/rmastatus.html</p> <p>Warranty and RMA information is available at the following website: http://www.cyberdata.net/support/warranty/index.html</p>
---	--

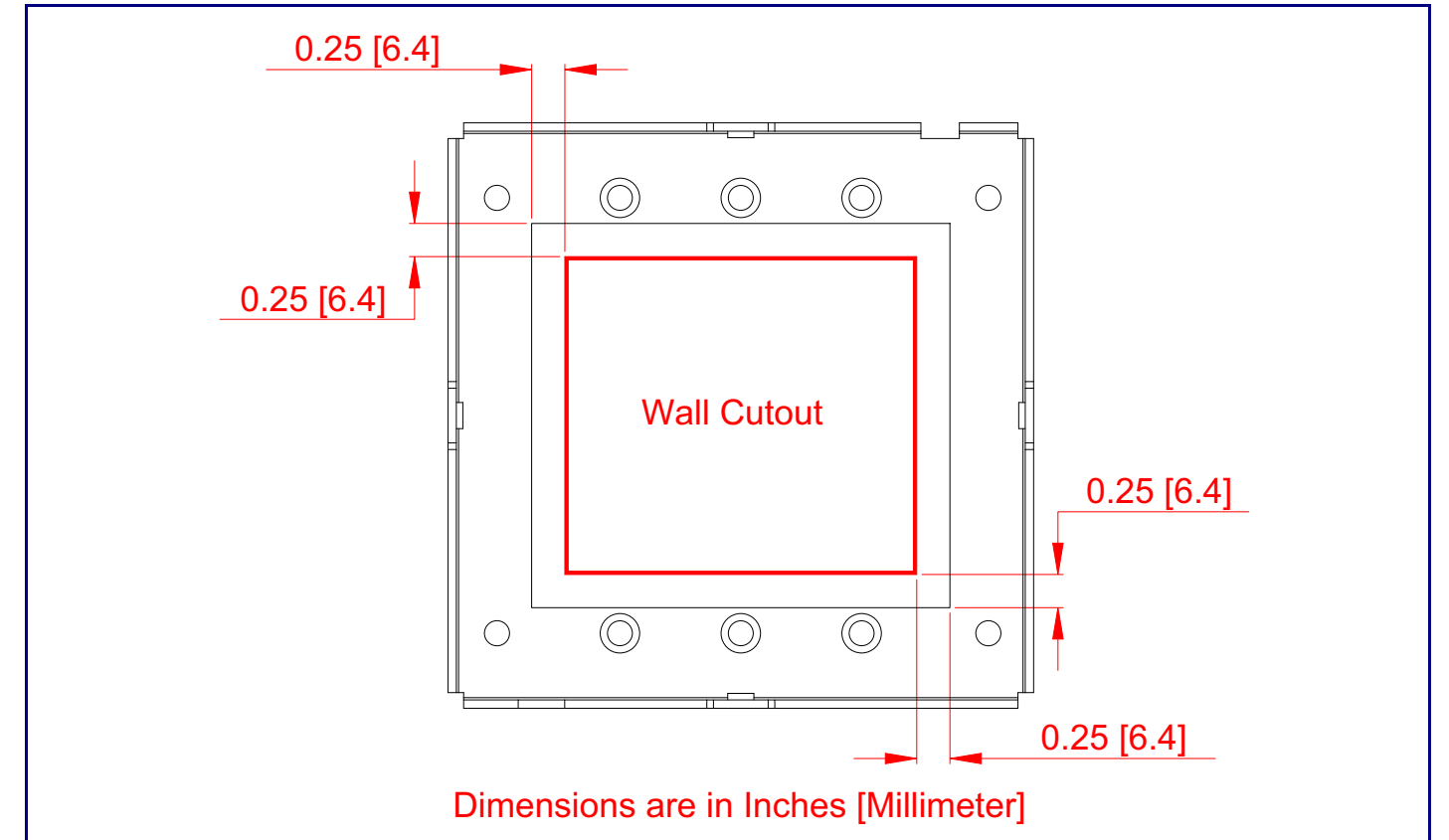
SIP Call Button Parts

<p>(1) SIP Call Button Assembly</p>	<p>(1) Wall Mounting Kit</p> <p>(4) #6 x 1.25 inches Sheet Metal Screw</p> <p>(4) #6 Ribbed Plastic Anchor</p>	<p>(1) Gang Box Mounting Kit</p> <p>(4) #6-32 x 0.625-inch Flat-Head Machine Screw</p>
--	---	---

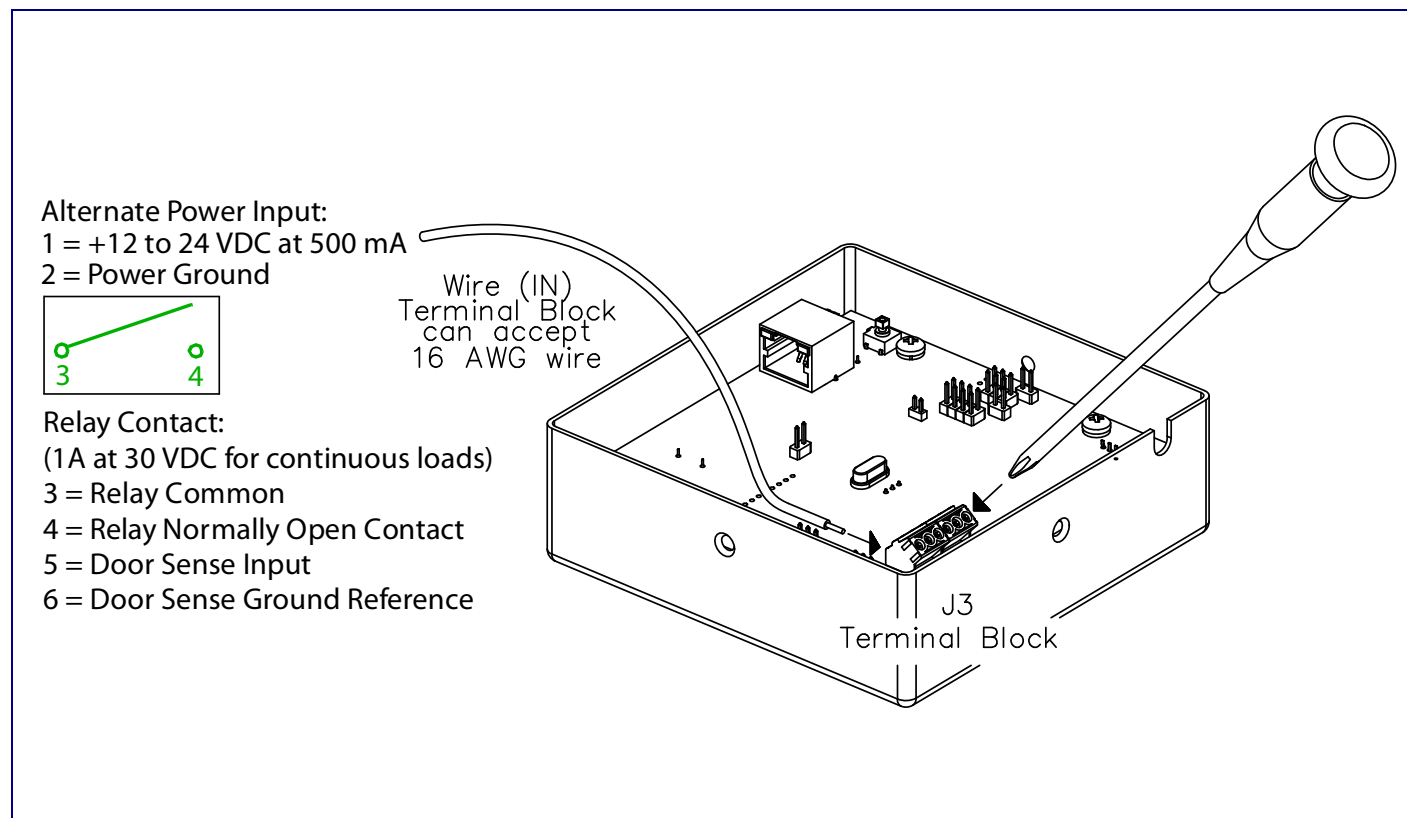
Dimensions



Maximum Recommended Wall Cutout Dimensions



Terminal Block Connections



Mounting Options

