

PoE Power Injector

The Power Injector eliminates the need for a PoE enabled hub. In a typical installation, the Power Injector is connected between a non-PoE hub and a CyberData paging device, providing inline power capability to an Ethernet Cat 5 cable.

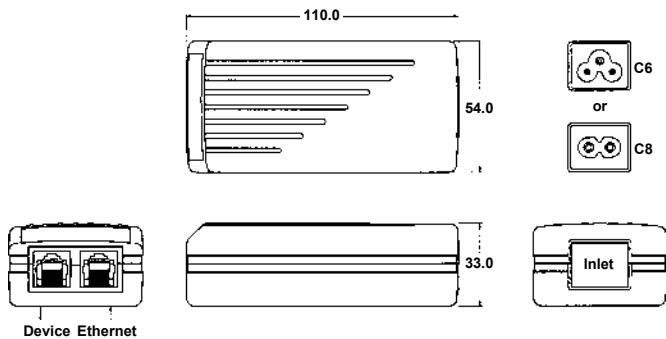


Specifications	
Boxed Weight	0.5 lbs.
Part Number	010867

Specifications

Input voltage 90 VAC to 264 VAC
 Input frequency 47 Hz to 63 Hz
 Inrush current less than 60A at 230VAC cold start, 25°
 Output voltage..... +48 VDC
 Output current 0.35 A
 Meet green mode < 0.5W (at no load)
 Efficiency 75%~85% depends on models
 Holduptime..... 16 ms typical at rated load and 115VAC
 Over voltage protection latch off
 Short circuit protection..... auto recovery

Over current protection auto recovery
 Operating temperature -20°C to 60 above 40°C, derate at 2.5% per degree
 Cooling free air convection
 Storage temperature -20°C to +85
 EMI FCC class "B" CISPR22 level "B"
 EMS EN61000-4-2, -3, -4, -5,-6,-11
 Safety UL 60950-1, LPS CSA C22.2 No. 60950-1 TUV EN60950-1



Notes:

- Dimensions shown in mm as left. Tolerance: ±1mm (Excluding cables).
- Size: 54.0 X 110.0 X 33.0 (mm)
- Packing: Net weight: 140 g approx. / unit
Gross weight: 19 kg approx. / carton, 120 units / carton
Carton size (mm): 535 (L) x 489 (W) x 314 (H)
- Connectors:
AC input : IEC 320 C8: SNP-POEX
C6: SNP-POEX-3 (* X: 7/9/T)
Device connector : RJ45
Ethernet connector : RJ45
- Box Color : Black

PoE Power Injector