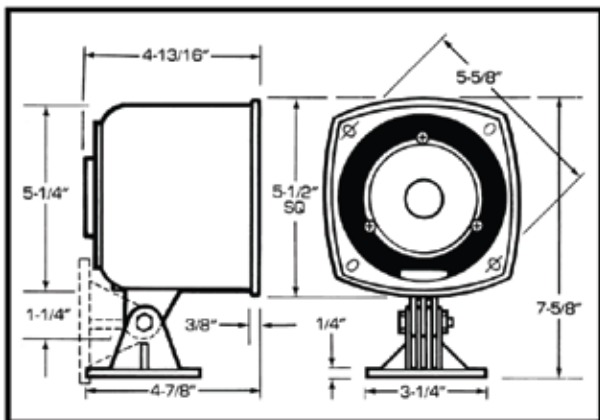


Mini Horn Loudspeaker

Features

- A small re-entrant horn package with a powerful and efficient compression driver.
- Designed for good speech intelligibility.
- Rated at 40 watts continuous duty using a 1-1/2" diameter 8 or 45 ohm voice coil on a rugged phenolic diaphragm.
- A heat sink coupled to the driver dissipates heat to maintain efficiency and endurance.
- Weather and corrosion resistant design uses stainless fasteners. Plating on driver meets 96-hour salt spray test. Other parts are made of impact and UV resistant ABS.
- Adjustable mounting base will attach to a 3-inch electrical box.
- Flange holes allow for recessed or concealed mounting.

Dimensions



Specifications

| | |
|--------------------------------------|--|
| Input Impedance | 8 ohms nominal |
| Power Handling | 40 watts continuous duty |
| Frequency Range (On Axis) | 700-6500 Hz (± 3 dB) 500-7000 Hz (± 6 dB) |
| Sound Pressure Level (At 1 meter) | <ul style="list-style-type: none"> ● 1 watt, 500 -5000 Hz, averaged; 107 dB ● 1 watt, 1 octave at 2 kHz, averaged; 108 dB ● 40 watts, 1 octave at 2 kHz, averaged; 123 dB |
| Mounting Provisions | Adjustable base has four slots on 2-3/4" diameter for #8 screws. Horn flange has 4 holes on 5-5/8" diameter (4 squarepattern) for #8 screws. |
| Dimensions | 7 .6" H x 5.5" W x 4.8" D |
| Net Weight | 2.5 lbs. (1.14 kg.) |
| Warranty | 2 Years Limited |
| Boxed Weight | 2.8 lbs. |
| Part Number | 011068 |

Mini Horn Loudspeaker