



Quick Reference for the 4-Port PoweredUSB 2.0 Hub with External Power Supply **010807**

Installation information

The USB Driver for this Hub is included in the Windows 2000 operating system. For correct initial enumeration, plug an HID-compliant mouse into the lower USB portion of one port prior to plugging the hub into the Host PC.

▶ Windows XP Service Pack 2 includes the updated drivers for this Hub. You can download the *Operations Guide for the 4-Port PoweredUSB 2.0 Hub*, which includes information on the Windows XP setup, from the 4-Port PoweredUSB 2.0 Hub product page at:

<http://www.cyberdata.net/products/retail/pusb/index.html>

Product components list

- (1) CyberData 4-Port PoweredUSB 2.0 Hub
- (1) Accessory Kit:
 - (1) Short USB 2.0 Hi-Speed host cable
 - (1) Host USB cable strain relief clamp
 - (1) Hub External Power supply
 - (1) *Quick Reference for the PoweredUSB 2.0 Hub with External Power Supply and Dell Integrator Kit*

Contact CyberData

- 4 Port PoweredUSB 2.0 Hub Product page:
<http://www.cyberdata.net/products/retail/pusb/index.html>
- CyberData Sales URL for cables and connectors:
<http://www.cyberdata.net/products/cables/pusbables/index.html>
- Phone: (831) 373-2601, Technical Support Ext. 333 or support@cyberdata.net
- Corporate Web Site URL: www.cyberdata.net
- Fax: (831) 373-4193
- Address: 2555 Garden Road, Monterey, CA 93940
- Service, warranty, and Return Materials Authorizations (RMAs): (831) 373-2601 Ext. 136

Figure 1: USB Host "B" connector and cable strain relief

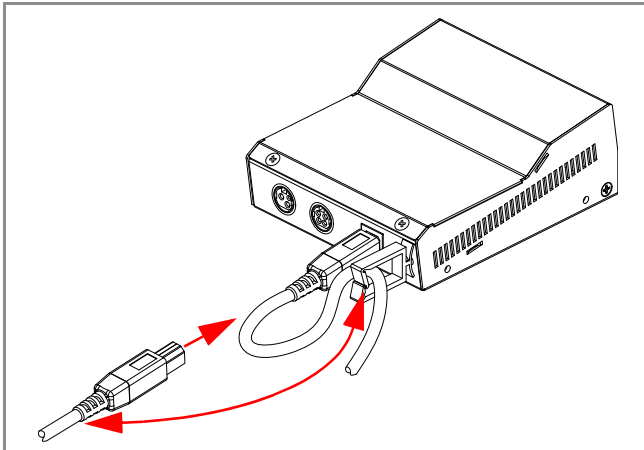


Figure 2: Component identification: external front and back views

