

# T-88 EJ ASSEMBLY



1

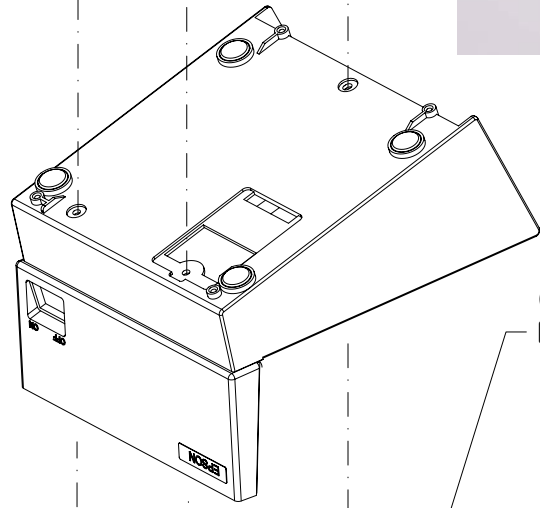
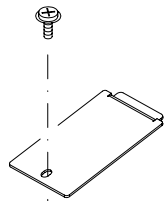
2

3

4

5

6



**CABLE THROUGH PLASTIC CUTOUT**

**USM MODULE 010657A**

**REPLACE WITH POWER LOOPBACK CABLE**

**SEE PICTURE FOR DETAILS**



I  
O  
II

**PULL**

**PULL**

**CUT CABLE TO REMOVE FROM PRINTER**

